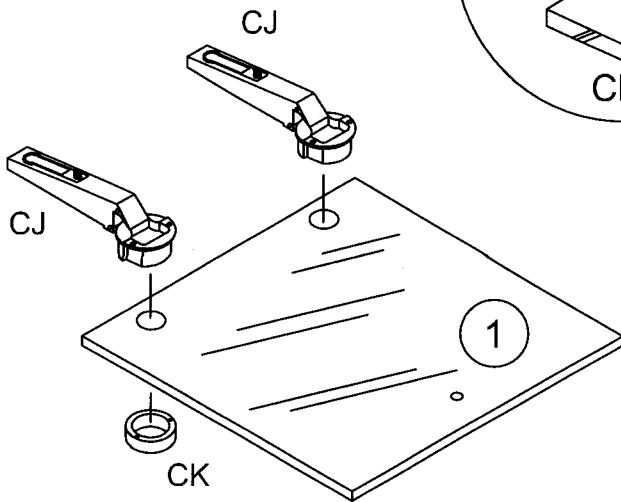


**x 2**

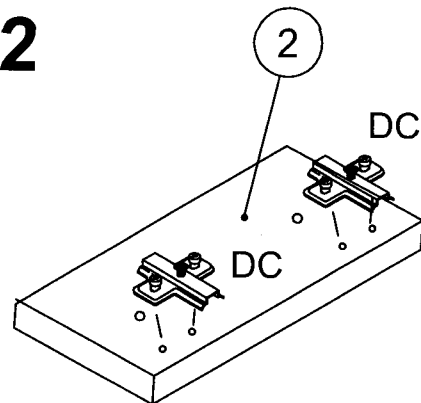
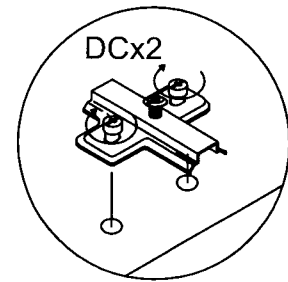
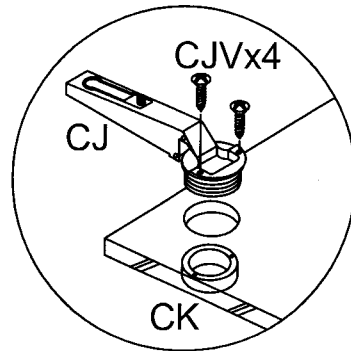


VC		ME		NJ		HI		CJ		CK		CJV		DC		KC	
4		2		2		2		4		4		8		4		4	

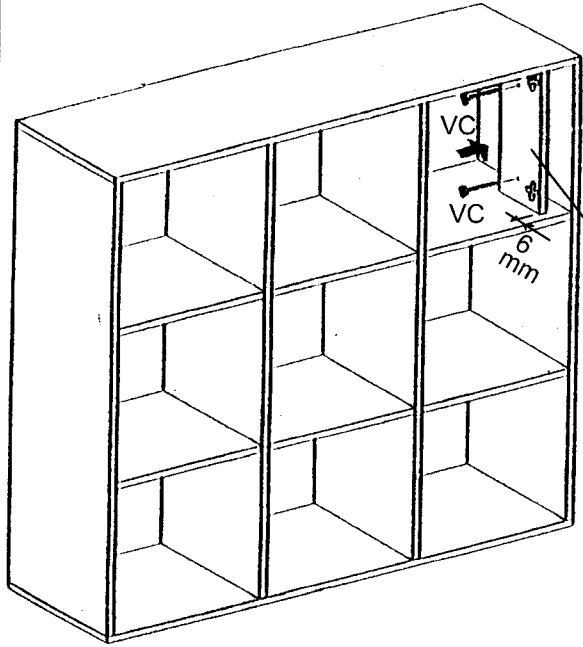
**1**



**x 2**



2

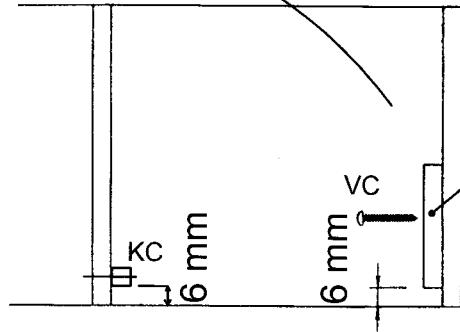


9 MAXC  
6 MAXC  
3 MAXC

2A MAXX



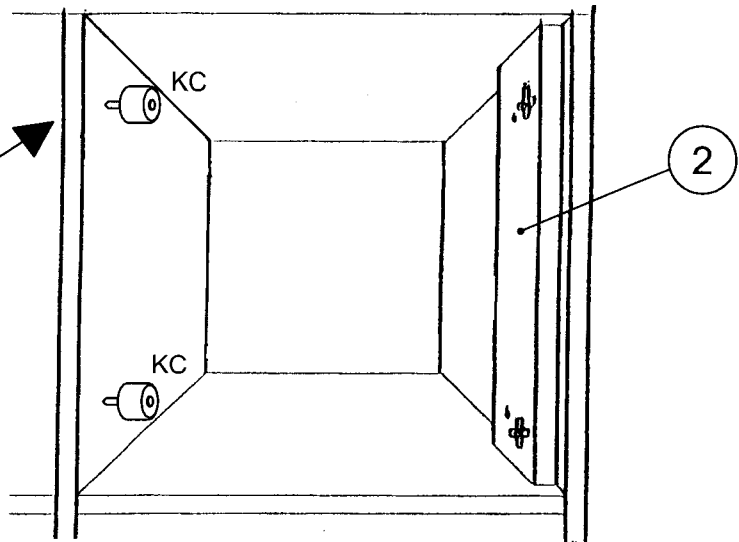
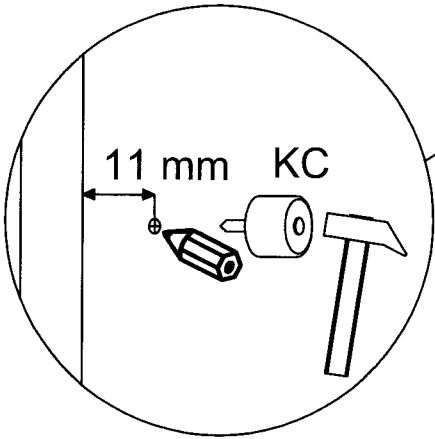
2



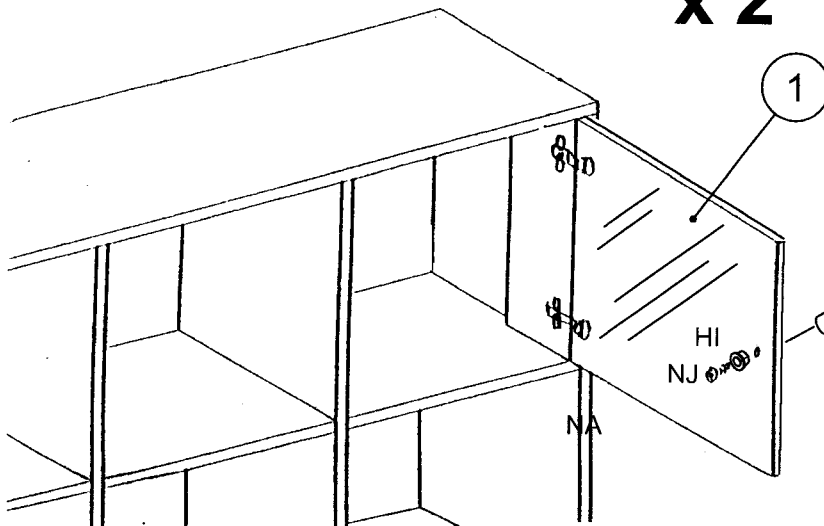
2



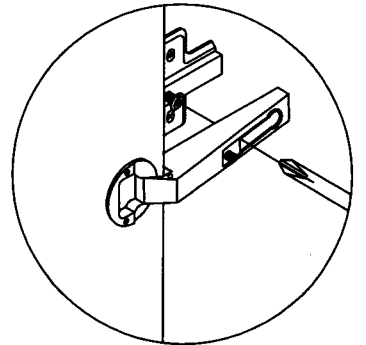
3



4



x 2



ME



NJ



HI



ME